

NOTES:



1 INLET & OUTLET CONNECTIONS MUST BE SUITABLY GUARDED BY CLIENT TO PREVENT OPERATOR ACCESS TO ROTATING/MOVING PARTS IN LINE WITH RELEVANT SAFETY REGULATIONS (BS EN 294/BS5304:1988 ETC)

2 *INLET SPIGOT SUPPLIED NOMINAL LENGTH. TO BE CUT TO SUIT ON INSTALLATION. HOLE IN PLATE CUT TO SUIT ACCORDINGLY. FOLLOWING SITE FABRICATION IT MUST NOT BE POSSIBLE TO ACCESS ROTATING PARTS VIA THE INLET CONNECTION.

3 MACHINE WEIGHT APPROX 160 kg

4 KIBBLER SUPPLIED WITH -: MOTOR ISOLATOR/SWITCH DISCONNECTOR (SUPPLIED LOOSE) 6-POLE ON/OFF + 1 N/O 1 N/C 3 PHASE MAINS POWER SUPPLY TO MOTOR MUST BE WIRED THROUGH THIS ISOLATOR. KEY EXCHANGE BOX (SUPPLIED LOOSE) WITH 1 RETAINED AND 2 RELEASED KEYS (THESE KEY NO'S MUST BE UNIQUE ON CUSTOMERS SITE). DOOR LOCKS (SUPPLIED FITTED TO M/C)

DO NOT SCALE DRAWING - IF IN DOUBT ASK

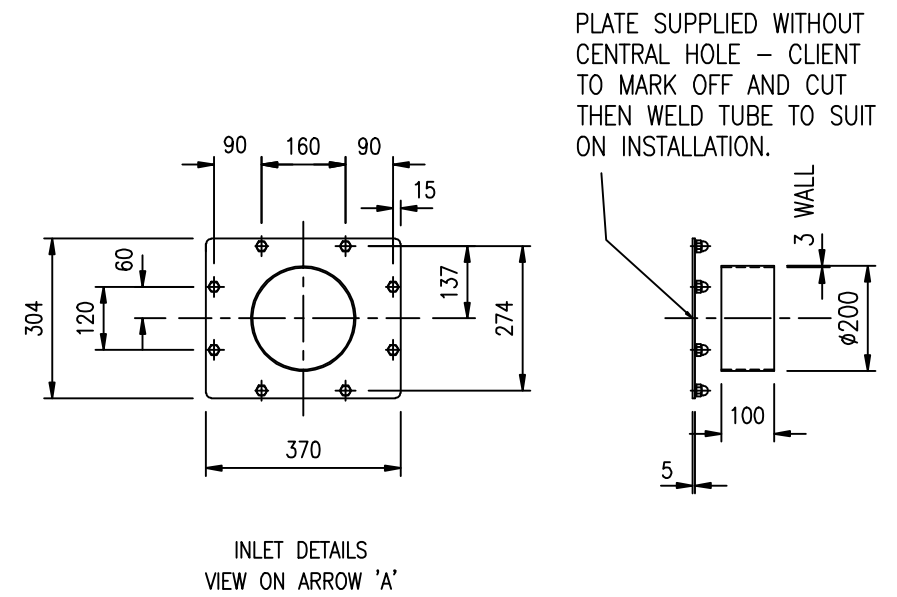
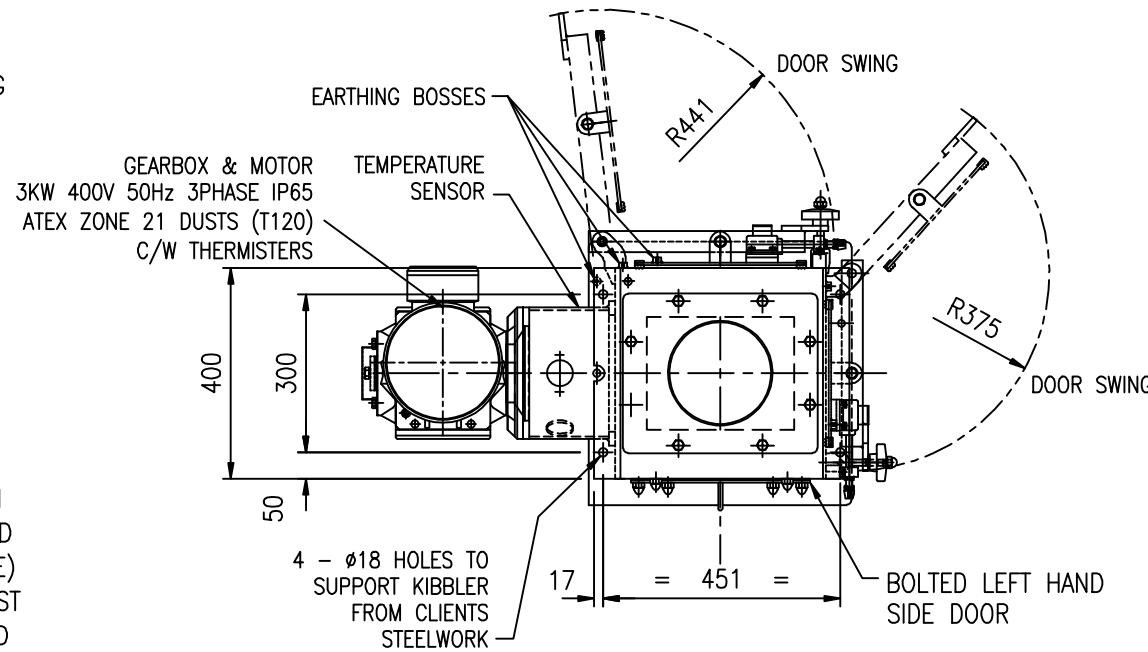
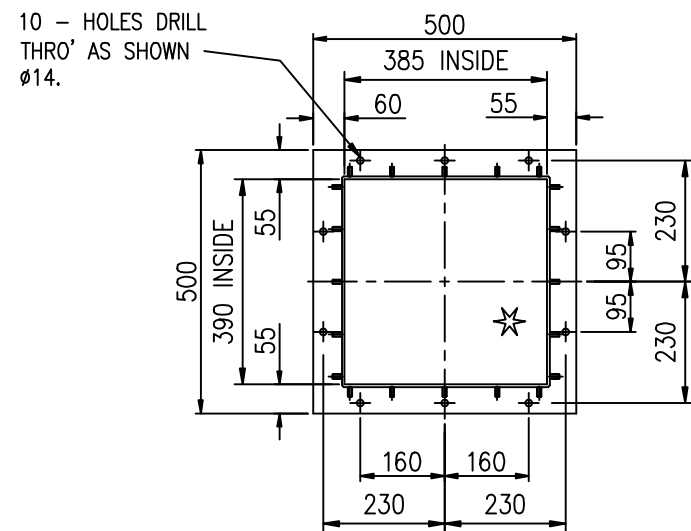
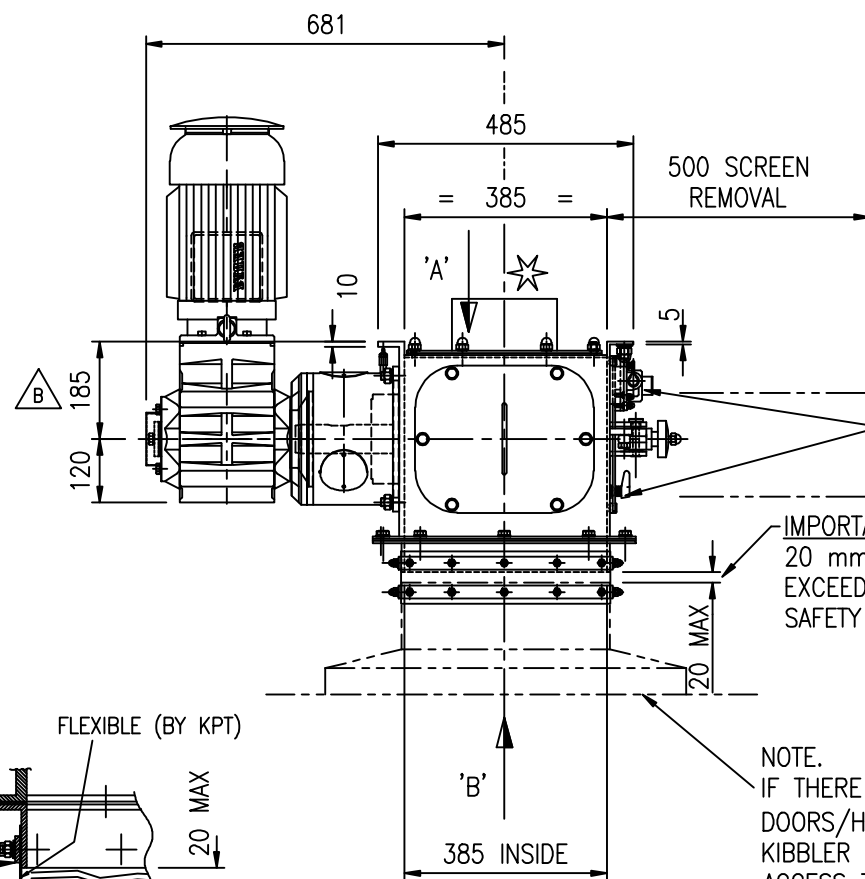


PLATE SUPPLIED WITHOUT CENTRAL HOLE - CLIENT TO MARK OFF AND CUT THEN WELD TUBE TO SUIT ON INSTALLATION.

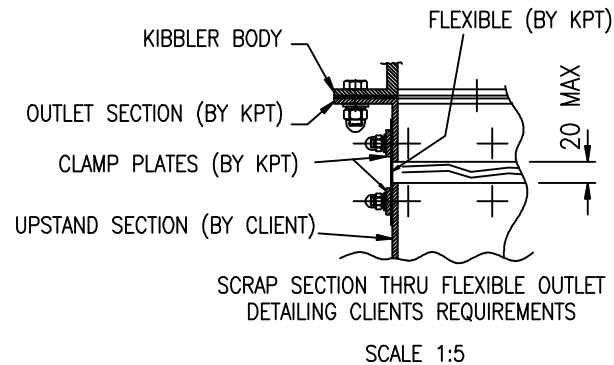
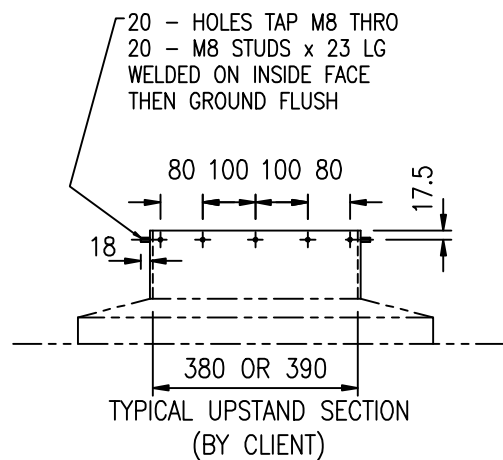
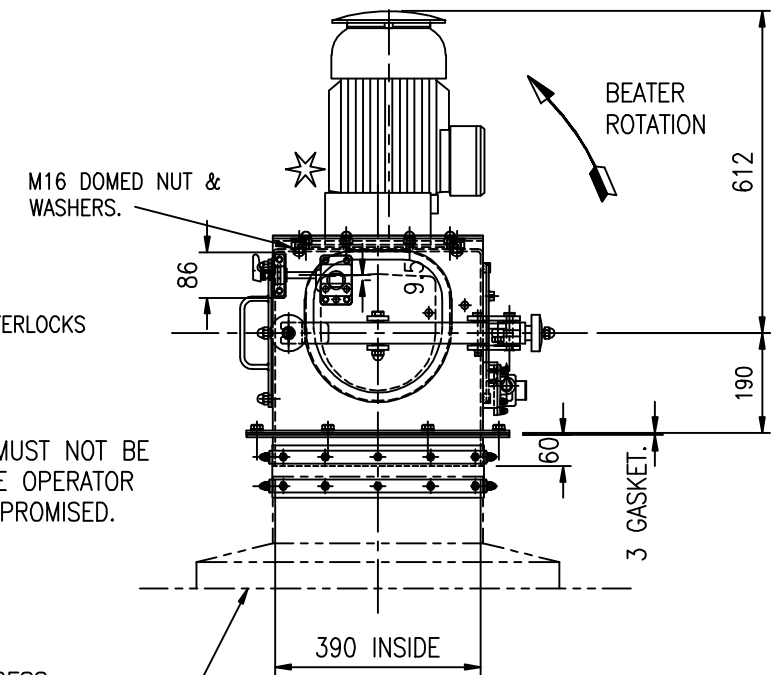


OUTLET DETAIL ON ARROW 'B'



IMPORTANT:- 20 mm DIMENSION MUST NOT BE EXCEEDED OTHERWISE OPERATOR SAFETY MAY BE COMPROMISED.

NOTE. IF THERE ARE ANY ACCESS DOORS/HATCHES DOWN STREAM OF THE KIBBLER IT MUST NOT BE POSSIBLE TO ACCESS THE KIBBLER FROM THESE POINTS IN ORDER TO MAINTAIN OPERATOR SAFETY.



THIS DRAWING IS THE PROPERTY OF KEK-GARDNER LTD AND MUST NOT BE COPIED OR SHOWN TO A THIRD PARTY WITHOUT THE WRITTEN CONSENT OF THIS COMPANY. ©

DRAWING SPECIFICATIONS
UNLESS OTHERWISE STATED
Screw threads to BS3643
ISO Metric Coarse Pitch Series (Medium Fit)
Surface Finish to BS1134 in micrometres
Welding Symbols to BS499 Part 2
Dimension & Geometrical Tolerances to BS308
Limits & Fits to BS4500
Remove all sharp edges and burrs

TOLERANCE SPECIFICATIONS
UNLESS OTHERWISE STATED
SHEET METAL DIMENSIONS
0 to 300 ± 1.00
300 to 1000 ± 2.00
Over 1000 ± 3.00
ANGULAR DIMENSIONS
± 0°-30°
MACHINED DIMENSIONS
0 to 150 ± 0.30
Over 150 ± 0.60
UNMACHINED DIMENSIONS
0 to 150 ± 0.50
Over 150 ± 1.50

ALL DIMENSIONS IN MILLIMETRES
THIRD ANGLE PROJECTION
For all material, weld and finish specifications refer to purchase/works order unless stated otherwise

Kek-Gardner
Powder Processing Excellence
Kek-Gardner Ltd
Springwood Way, Macclesfield, Cheshire, SK10 2ND
Tel: +44 (0)1625 412000 Fax: +44(0)1625 412002
Email: sales@kekgardner.co.uk Web: www.kekgardner.com

DRAWN BY
M. SMARJ
CHECKED BY

TITLE
M203C KIBBLER
GENERAL ARRANGEMENT

APPROVED BY
SCALE
1:10

DRAWING No
A2 B44089001

ISSUE
B
DATE
04/02/09